

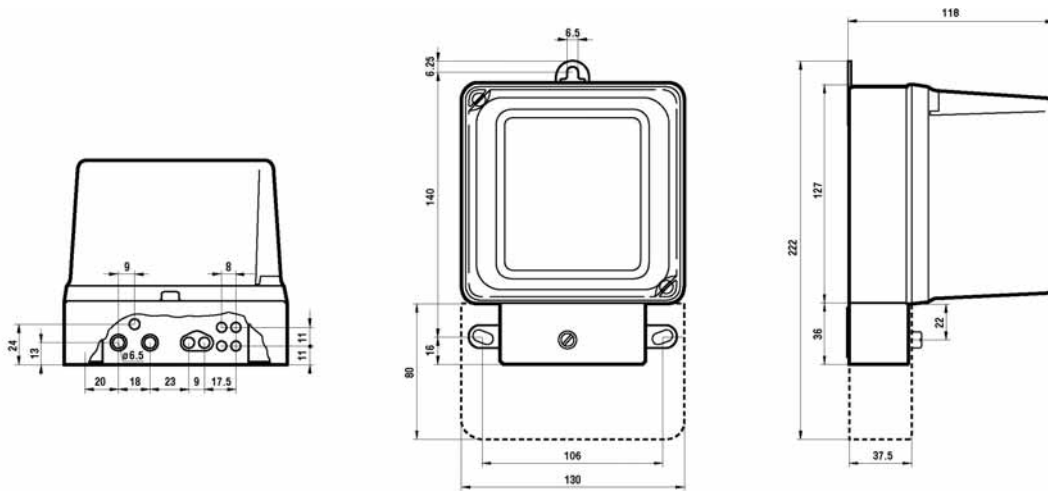
# SINGLE PHASE KWH-METERS



## TECHNICAL CHARACTERISTICS

ACTIVE ENERGY, 2 WIRES		3RCEMI5100	3RCEMI5230	3RCEMI5400	3RCEMI10230	3RCEMI20230
FUNCTIONING VOLTAGE		100V	230V	400V	230V	230V
CURRENT (Ib / I <sub>max</sub> )			5 / 20A		10 / 40A	20 / 80A
BURDEN						
Voltmeter circuit			0,11W		0,18W	0,26W
Ammeter circuit			0,23VA		0,35VA	0,38VA
STARTING CURRENT				0,5% Ib		
FREQUENCY				50Hz		
DISPLAY				5 entires + 1 decimal		
WEIGHT Kg.				1,57		

## DIMENSIONS in mm



## SCHEMI DI COLLEGAMENTO

Direct connection

Connections by means of C.T.

