

RATIO CORRECTING CURRENT TRANSFORMERS

These transformers are used when it is necessary to correct the transformation ratio of the main CT in order to adapt it to particular needs on the part of the measuring circuit or the phase displacement caused by star / delta connections, filtering the eventual homopolar currents.

TARCRD

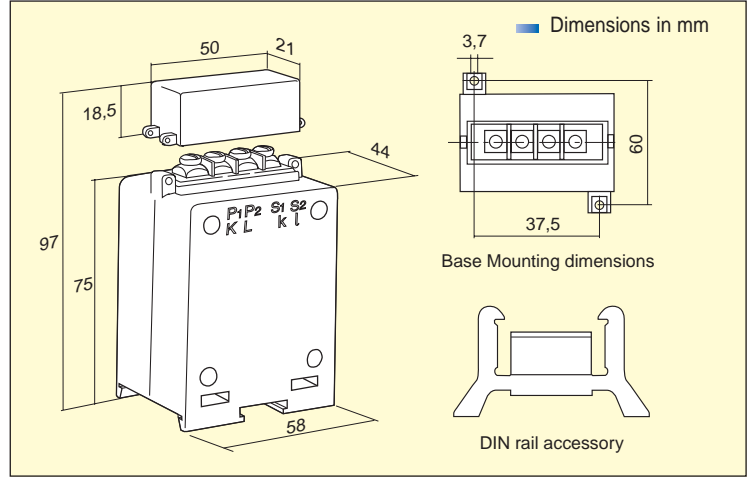
- Transformer with wound primary cable, primary and secondary currents on the terminals
- Fixing system: to wall or to DIN rail by accessories supplied together with the current transformer

- Sealable terminals cover included
- Different characteristics on request



When ordering indicate exactly the primary and secondary current

| A | A | kg | Power VA | | |
|-----------------|-------------------|--------|----------|---|---|
| primary current | secondary current | Weight | Class | | |
| 0,5 ÷ 40 | 0,2 ÷ 10 | 0,3 | 0,5 | 1 | 3 |
| | | | 2 | 4 | 6 |



TARCRD1

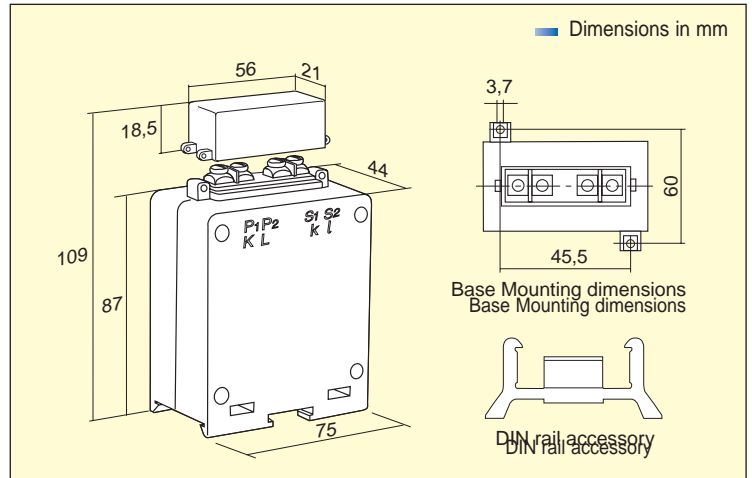
- Transformer with wound primary cable, primary and secondary currents on the terminals
- Fixing system: to wall or to DIN rail by accessories supplied together with the current transformer

- Sealable terminals cover included
- Different characteristics on request



When ordering indicate exactly the primary and secondary current

| A | A | kg | Power VA | | |
|-----------------|-------------------|--------|----------|----|--|
| primary current | secondary current | Weight | Class | | |
| 0,5 ÷ 40 | 0,5 ÷ 10 | 0,4 | 0,5 | 1 | |
| | | | 10 | 15 | |



TARCR2

- Transformer with wound primary cable, primary and secondary currents on the terminals
- Fixing system: to wall or to DIN rail by accessories supplied together with the current transformer

- Sealable terminals cover included
- Different characteristics on request



When ordering indicate exactly the primary and secondary current

| A | A | kg | Power VA | | | |
|-----------------|-------------------|--------|----------|----|------|--|
| primary current | secondary current | Weight | Class | | | |
| 0,5 ÷ 40 | 0,5 ÷ 10 | 0,5 | 0,5 | 1 | 5P10 | |
| | | | 20 | 40 | 4 | |

